

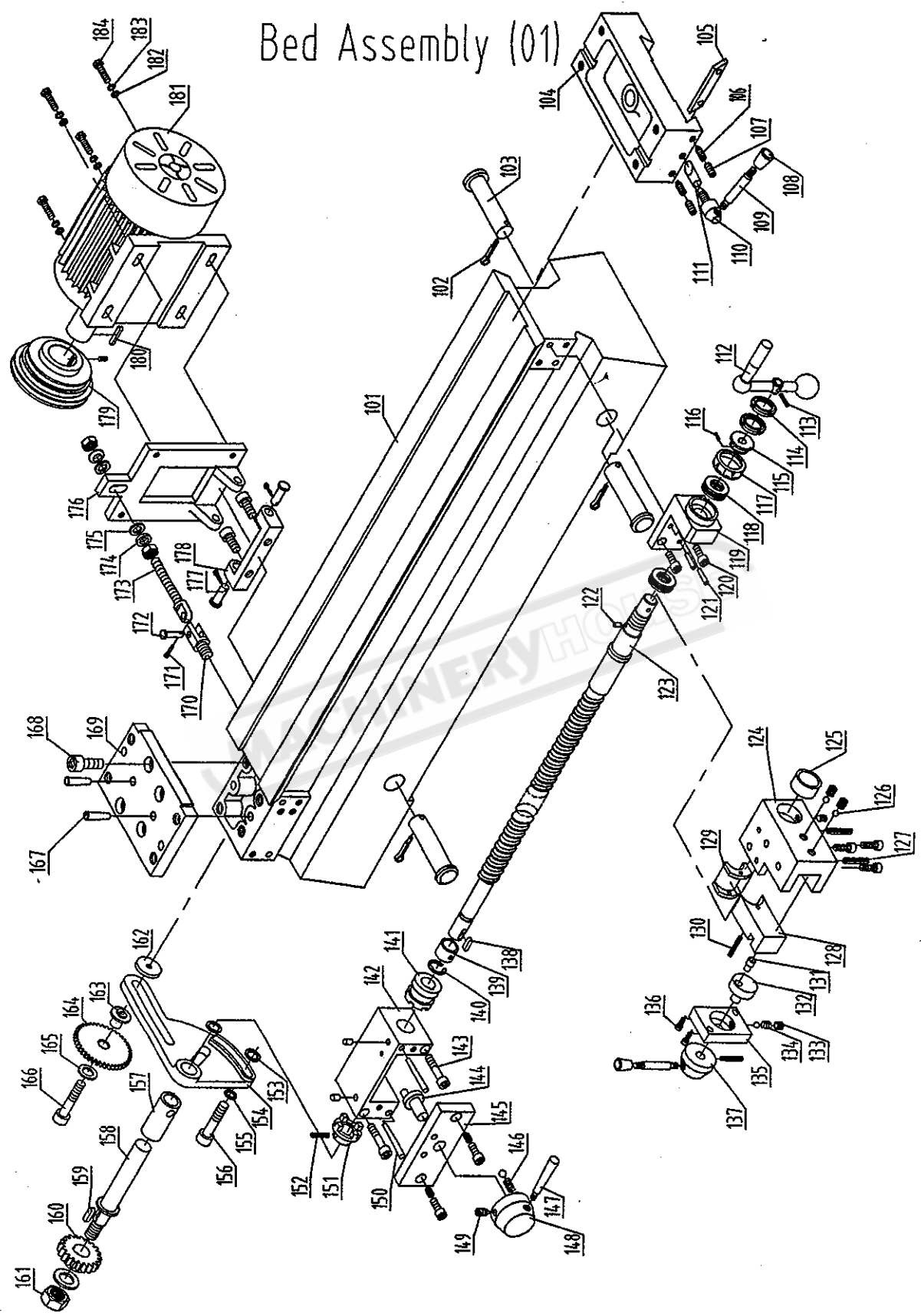
HQ400/3B

MULTI-PURPOSE MACHINE

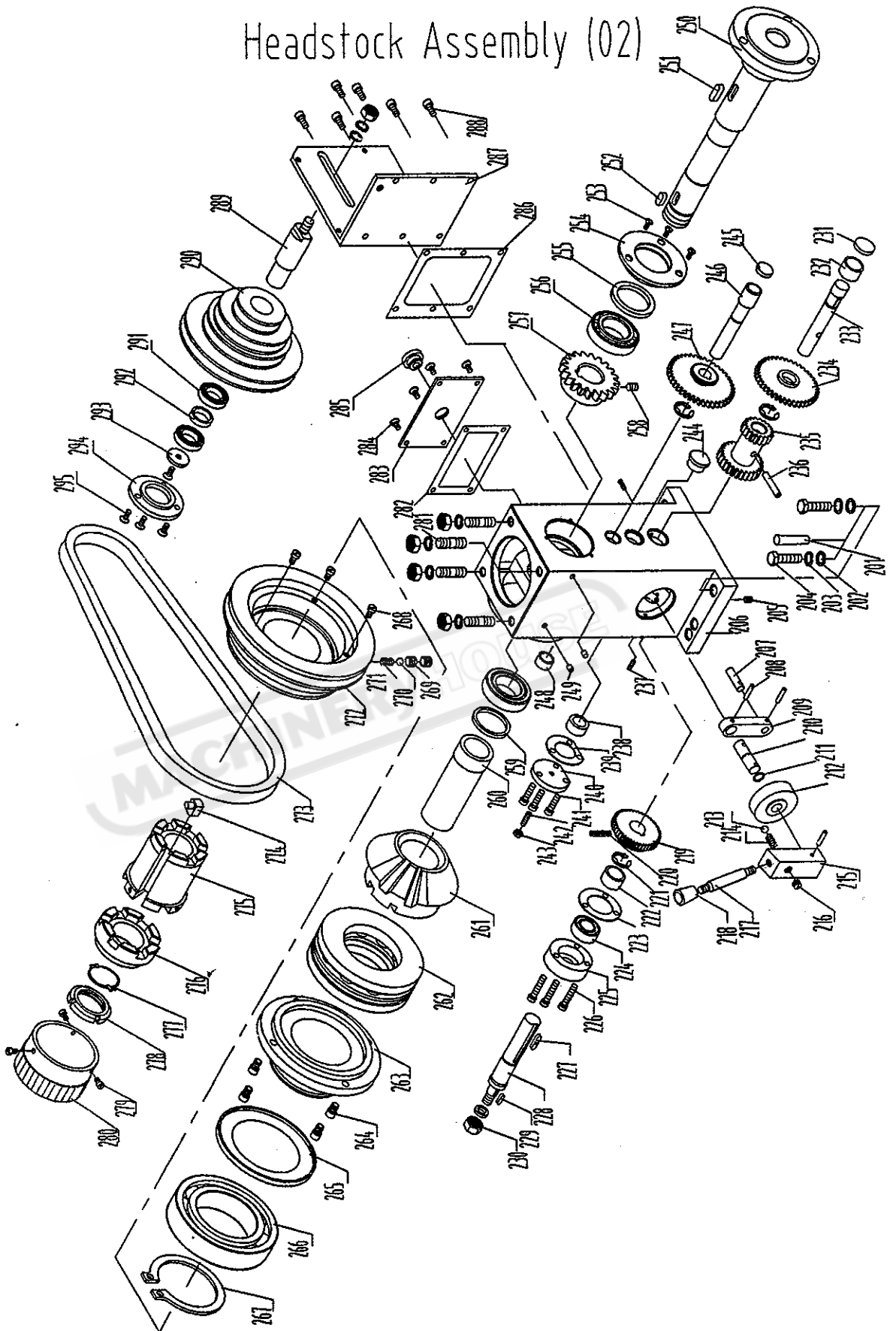
PARTS LIST



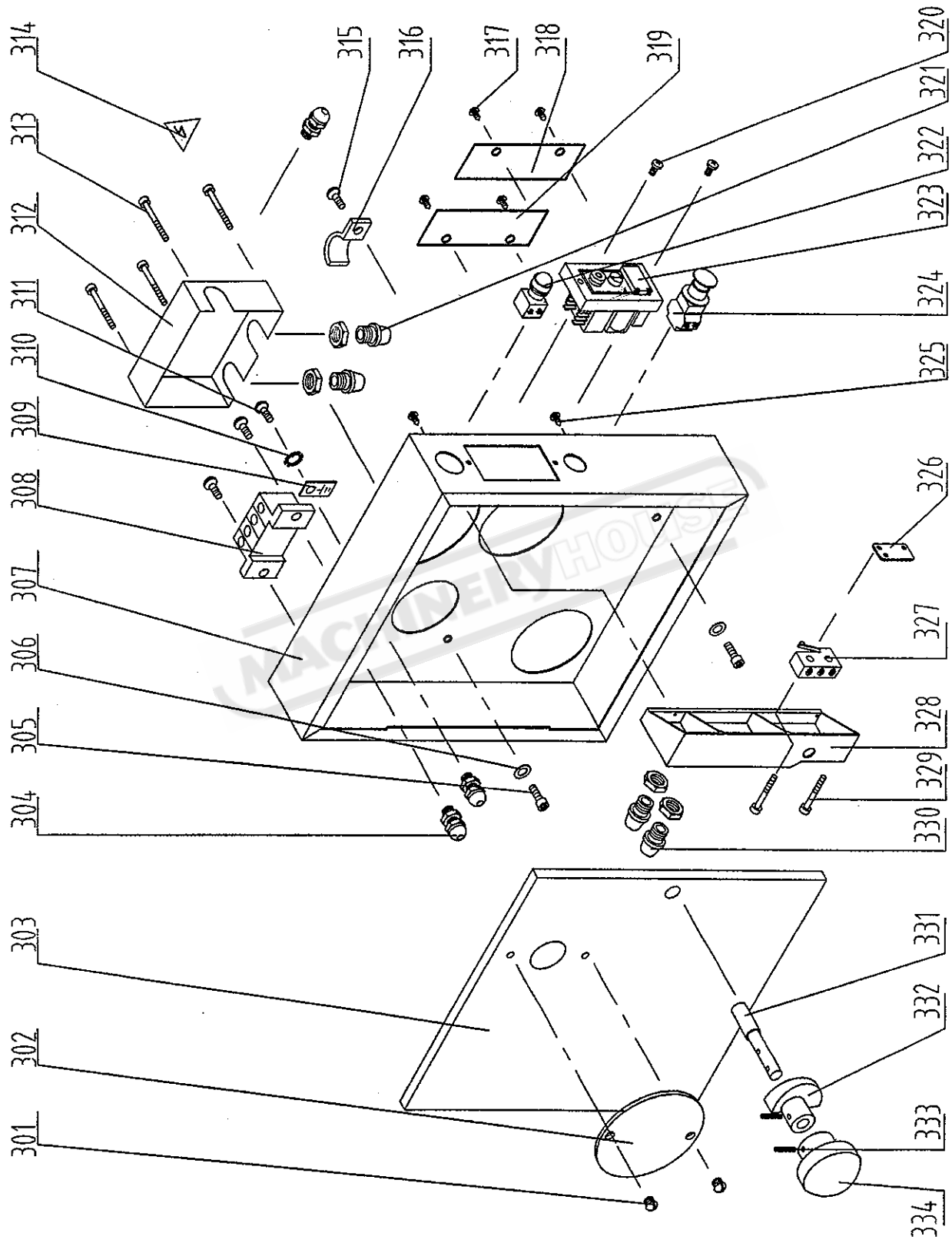
Bed Assembly (01)



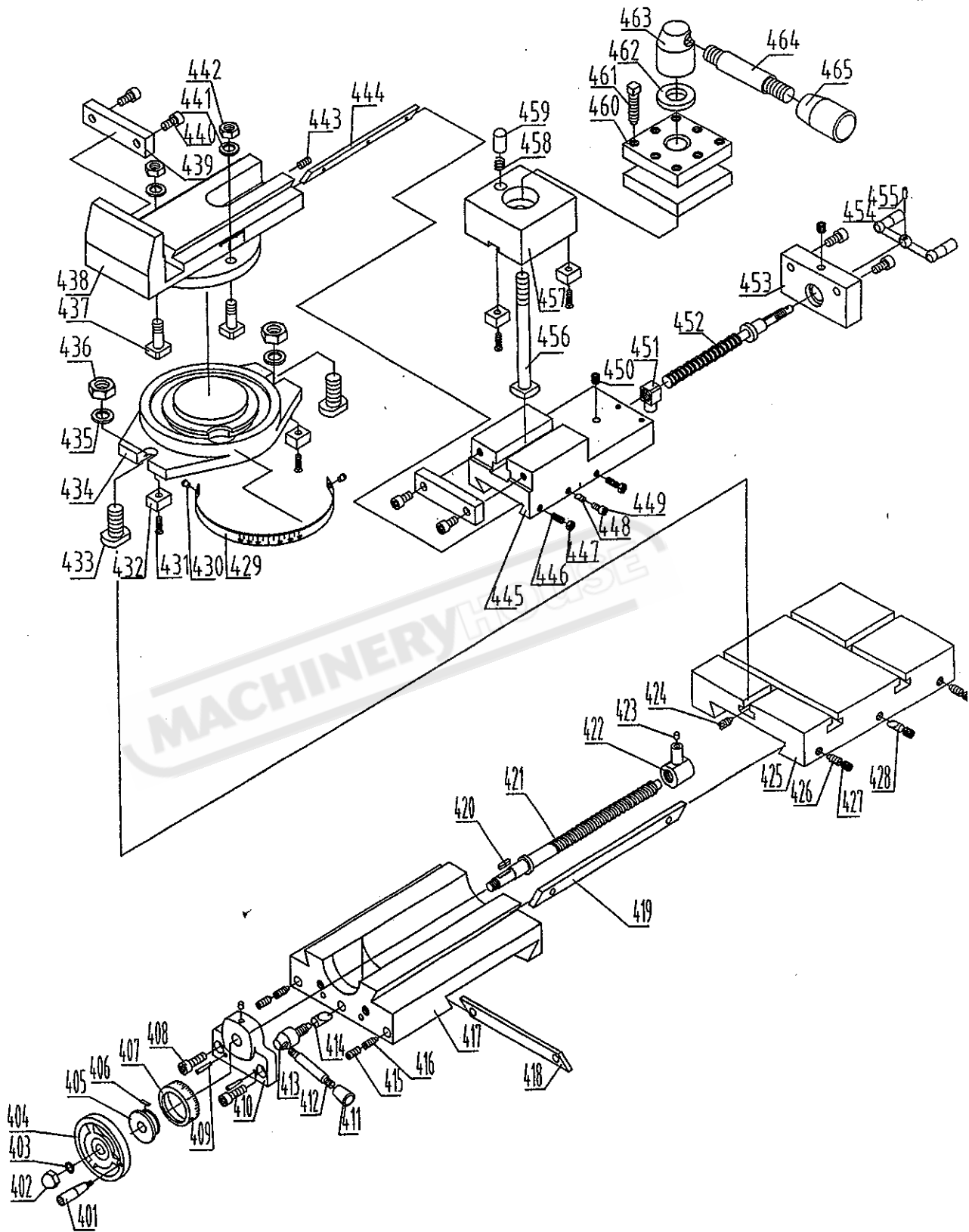
Headstock Assembly (02)



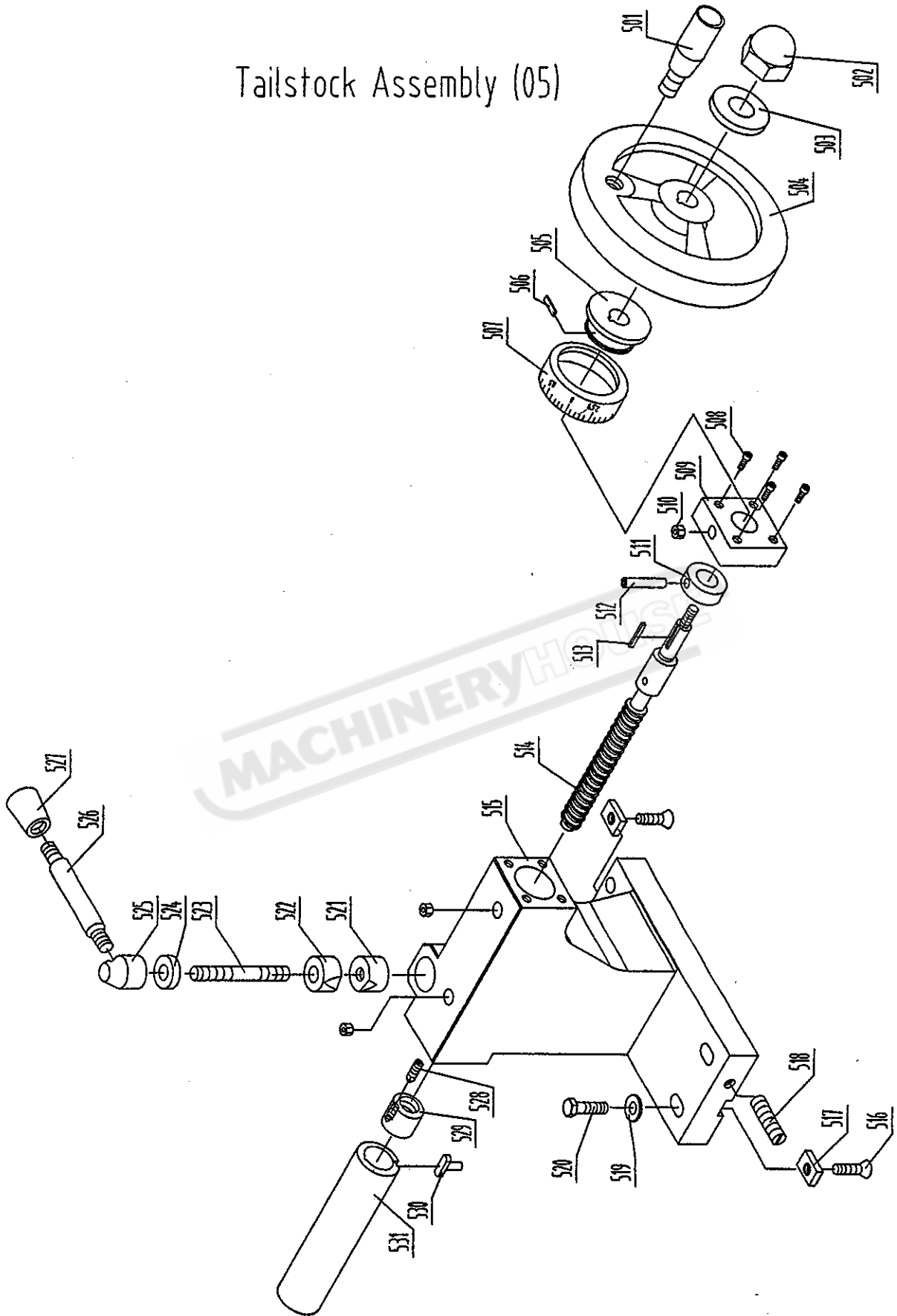
Protector assembly (03)



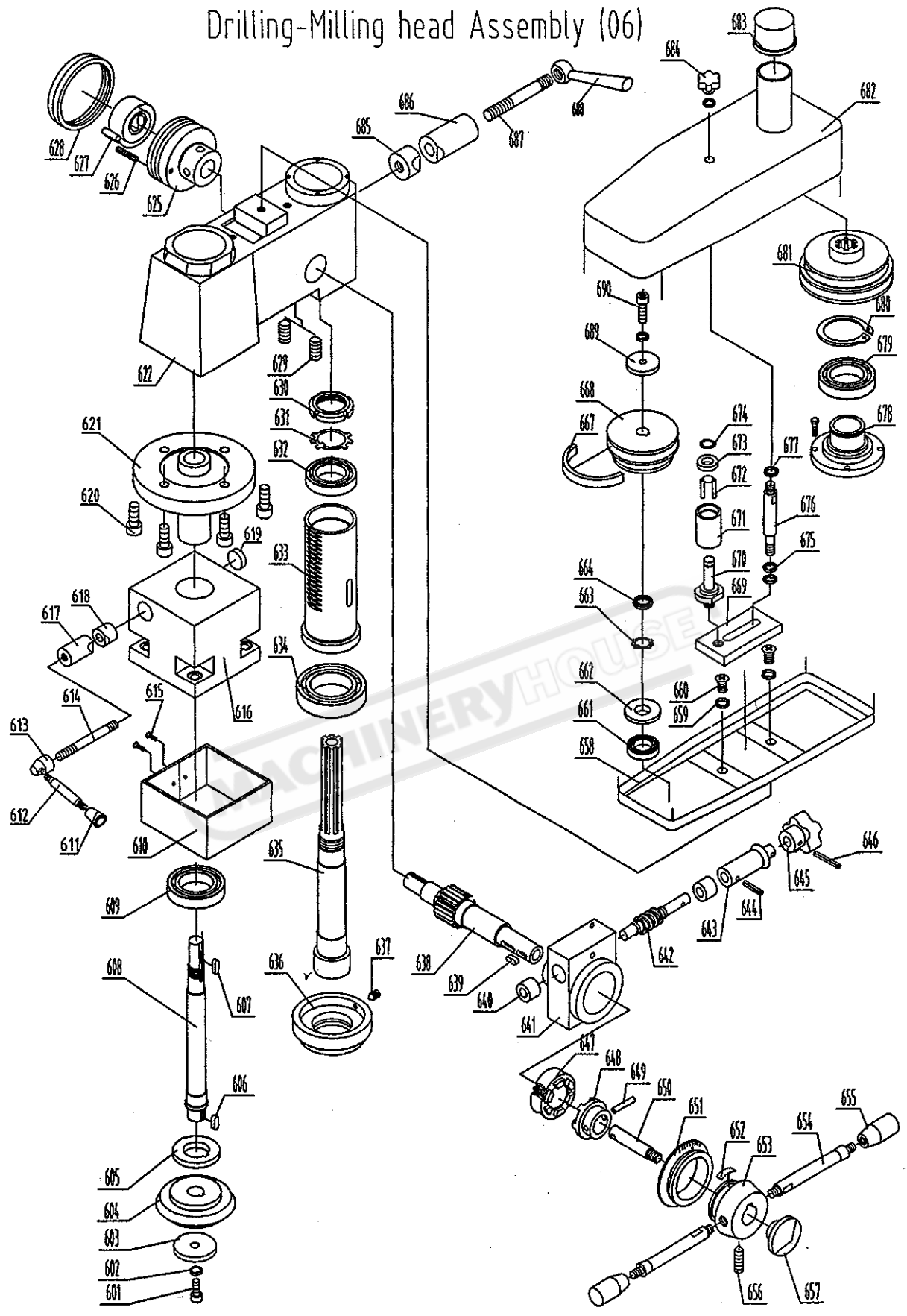
Tool post & Carriage Assembly (04)



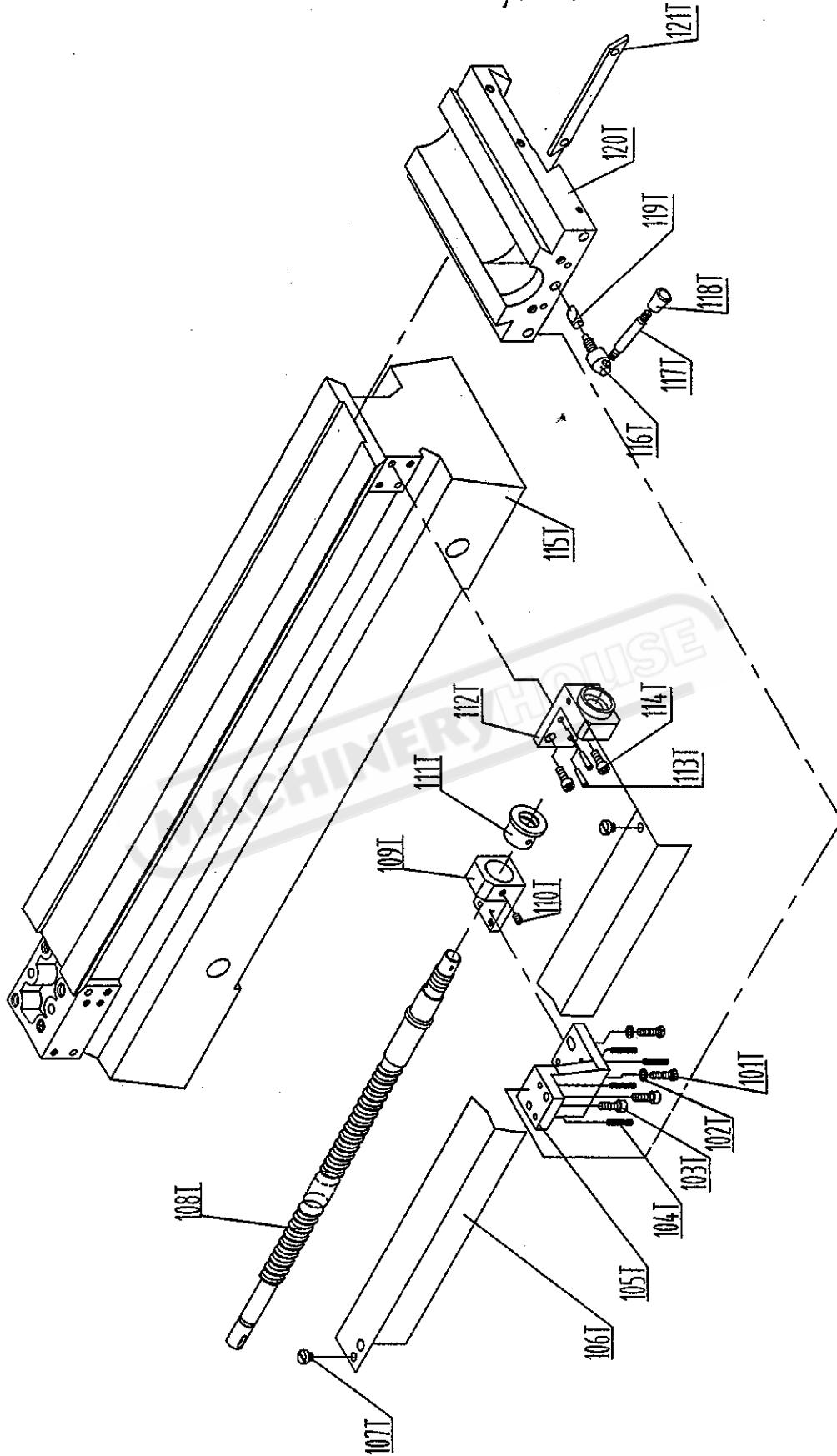
Tailstock Assembly (05)



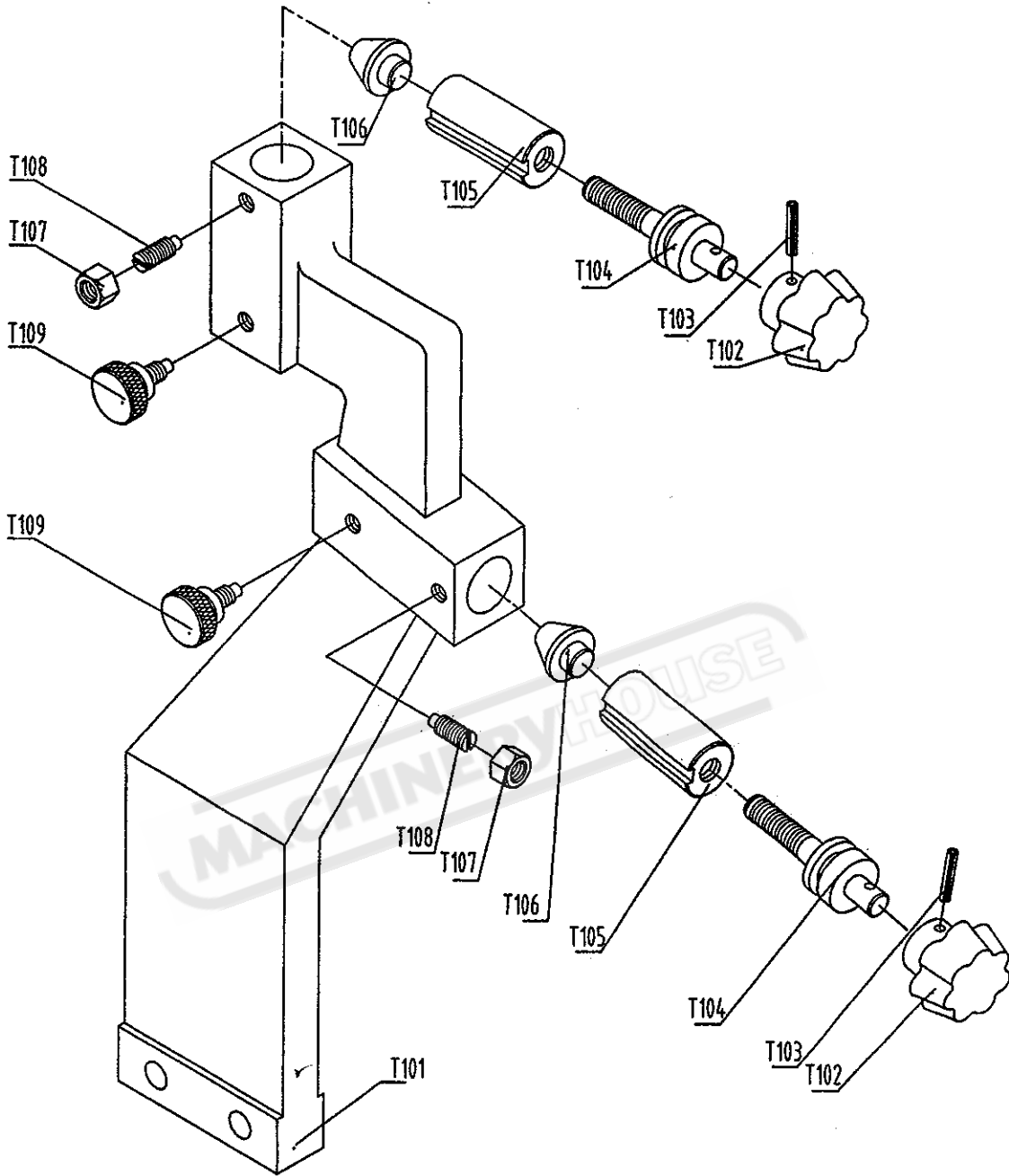
Drilling-Milling head Assembly (06)



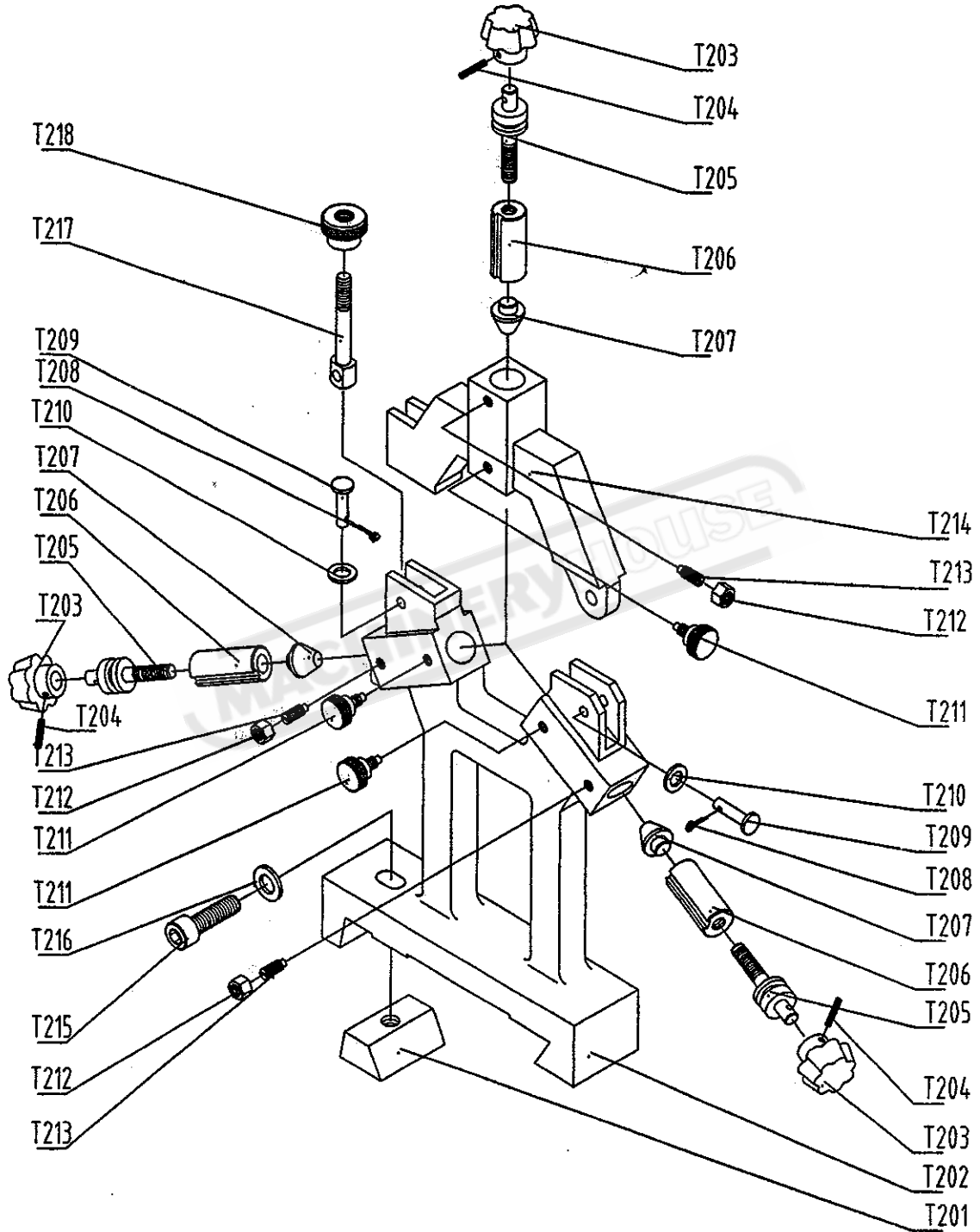
Bed Assembly(01T)



Follow Rest Assembly (T)



Steady Rest Assembly (T)



BED ASSEMBLY (01)

Index No.	Part No.	Description	Size	Qty.
101	HQ400-11-001(1)	Bed		1
102	GB/T91-1986	Split pin	5×25	
103	HQ400-11-013	Lifting pin		4
104	HQ400-11-004	Tail stock base		1
105	HQ400-11-016	Gib		1
106	GB/T75-1985	Screw	M8×15	2
107	GB/T77-1985	Screw	M8×25	2
108	JB/T7271.3-1994	Knob	M6×20	2
109	JB/T7271.6-1994	Lever	M6×50	2
110	HQ400-11-022	Locking screw		1
111	HQ400-11-015	Locking pin		1
112	JB/T7270.9-1994	Ball-crank handle	12×50	1
113	GB/T879-1986	Spring pin	4×24	1
114	GB/T810-1988	Round nut	M14×1.5	2
115	HQ400-11-006B	Scale ring base		1
116	HQ400-11-006C	Spring piece		1
117	HQ400-11-006	Scale ring		1
118	GB/T301-1995	Bearing51103		2
119	HQ400/3-11-010	Lead screw bracket		1
120	GB/T70-1985	Screw	M6×12	7
121	GB/T117-1986	Tap pin	B4×25	2
122	GB/T119-1986	Pin	B4×6	1
123	HQ400/3-01-006	Longitudinal lead screw		1
124	HQ400/3-06-007	Half-nut base		1
125	HQ400/3-06-001	Lead screw sleeve		1
126	GB/T308-1977	Steel ball	Ø6.5	4
127	GB/T879-1986	Spring pin	5×20	2
128	HQ400/3-06-008	Half-nut bracket		1
129	HQ400/3-06-002	Half-nut		1
130	GB/T879-1986	Spring pin	4×30	2
131	HQ400/3-06-003	Pin		1
132	HQ400/3-06-004	Eccentric arm		1
133	GB/T77-1985	Screw	M8×16	1
134	CM1224C-06-007	Spring	Ø6	1
135	HQ400/3-06-005	Cover		1
136	GB/T70-1985	Screw	M5*12	2
137	HQ400/3-06-006	Lever base		1
138	GB/T1096-1979	Key	A5×12	2
139	HQ400/3-04-007	Sleeve right)		1
140	GB/T896-1986	"E"ring		1
141	HQ400/3-04-004	Clutch B		1
142	HQ400/3-04-006	Link base		1

143	GB/T70-1985	Screw	M6×50	1
144	HQ400/3-04-005	Eccentric pin		1
145	HQ400/3-04-008	Cover		1
146	GB/T2089-1980	Spring	0.8×5×14	1
147	JB/T7270.3-1994	Handle	BM8×80	1
148	HQ400/3-04-009	Lever base		1
149	GB/T78-1985	Screw	M6×16	1
150	GB/T117-1986	Tap pin	B5×60	2
151	HQ400-04-003	Clutch A		1
152	GB/T879-1986	Spring pin	5×22	1
153	HQ400/3-01-013	Adjusting washer		1
154	HQ400/3-01-008	Gear bracket		1
155	GB/T97.1-1985	Washer	6	1
156	GB/T70-1985	Screw	M6×30	1
157	HQ400/3-04-002	Sleeve (left)		1
158	HQ400/3-04-001	Shaft		1
159	GB/T1096-1979	Key	4×12	1
160	HQ400/3-附-009	Change gear		1
161	GB/T6170-1986	Nut	M10	3
162	HQ400/3-01-009	"T" key		1
163	HQ400/3-01-010	"T" collar		1
164	HQ400/3-附-01	Change gear	M=1.5	
165	HQ400/3-01-011	Washer		2
166	GB/T70-1985	Screw	M6×35	2
167	GB/T117-1986	Pin	8×40	2
168	GB/T70-1985	Screw	M10×25	4
169	HQ400-11-001(2)	Fixing block		1
170	HQ400-11-029	Movable joint		1
171	GB/T91-1986	Split pin	3×20	1
172	HQ400-11-029	Pin		1
173	HQ400-11-030	Bolt		1
174	GB/T850-1988	Cone face washer	10	2
175	GB/T849-1988	Ball face washer	10	2
176	HQ400-11-024	Motor base		1
177	HQ400-11-027	Shaft		1
178	HQ400-11-025	Motor pedestal		1
179	HQ400-11-031	Motor pulley		1
180	GB/T1096-1979	Key	6×25	
181	YL7144	Motor	0.55KW	1
182	GB/T97-1976	Washer	Ø8	4
183	GB/T93-1976	Washer	Ø8	4
184	GB/T5780-1986	Bolt	M8×25	4

HEADSTOCK ASSEMBLY (02)

Index No.	Part No.	Description	Size	Qty.
201	GB117-86	Pin	8×40	2
202	GB/T848-85	Washer	10	6
203	GB/T93-87	Spring washer	10	6
204	GB/T5780-86	Hexagon Head Screw	M10×40	4
205	GB/T71-85	Screw	M5×8	1
206	HQ400/3-02-007	Headstock		1
207	GB/T119-86	Pin	B8×28	1
208	GB/T879-86	Spring Pin	4×18	2
209	HQ400/3-02-018	Link Board		1
210	HQ400/3-02-041	Shaft		1
211	GB/T3452.1-82	O- Ring	8.5×1.5	1
212	HQ400/3-02-020	Spacer		1
213	GB/T308-77	Steel Ball	Ø6.5	1
214	GB/T2089-86	Spring	0.8×5×17	1
215	HQ400/3-02-022	Lever Base		1
216	GB/T73-85	Screw	M8×5	1
217	HQ400-13-005	Lever		1
218	GB/T7271.3-94	Knob	M10×32	1
219	HQ400/3-02-006	Gear		1
220	GB/T879-86	Spring Pin	3×10	1
221	GB/T896-86	"E"-ring	12	3
222	HQ400/3-02-008	Sleeve		1
223	HQ400/3-02-005	Paper Washer		1
224	HG4-692-67	Oil Seal	PD14×30×10	1
225	HQ400/3-02-002	Oil Seal Board		1
226	GB/T65-85	Screw	M5×20	3
227	HQ400/3-02-040	Key	5×30	1
228	HQ400/3-02-009	Shaft D		1
229	GB/T1096-79	Key	4×10	1
230	GB/T6170-86	Nut	M10	2
231	HQ500-02-010	Cover		1
232	HQ400/3-02-024	Sleeve		1
233	HQ400/3-02-010	Shaft C		1
234	HQ400/3-02-012	Gear		1
235	HQ400/3-02-011	Gear		1
236	GB/T879-86	Spring Pin	5×20	1
237	GB/T78-85	Screw	M5×12	2
238	HQ400/3-02-038	Sleeve		1
239	HQ400/3-02-026	Paper Washer		1
240	HQ500-02-022	Cover		1
241	GB/T65-85	Screw	M5×12	3
244	JB/T7941.1-95	Oil indicator	Ø12	1
245	HQ500-01-019	Cover		1
246	HQ400/3-02-015	Shaft B		1
247	HQ400/3-02-013	Gear		1
248	HQ400/3-02-030	Sleeve		1

249	HQ400/3-02-028	Washer		1
250	HQ400/3-02-027	Spindle		1
251	GB/T1096-79	Key	8×22	1
252	GB/T1096-79	Key	8×12	1
253	GB/T68-85	Screw	M4×10	3
254	HQ400-12-003	Spindle Gland		1
255	HQ400-12-019	Oil Seal Of Spindle		1
256	GB/T297-94	Roller Bearing	32007/P5	2
257	HQ400/3-02-016	Gear A		1
258	GB/T78-85	Screw	M8×10	1
259	HQ400-12-013	Compensating Collar		1
260	HQ400-12-005	Bush		1
261	HQ400-12-004	Bevel Gear		1
262	GB/T301-95	Bearing	51113	1
263	HQ400-12-009	Bearing Seat		1
264	GB/T70-85	Socket Cap Screw	M5×10	4
265	HQ400-12-014	Bearing Cover		1
266	GB/T276-94	Single-Row Ball Bearing	6013	1
267	GB/T894.1-86	Retain ring For Shaft	65	1
268	GB/T67-85	Button Head Screw	M6×8	3
269	GB/T73-85	Screw	M6×6	6
270	GB/T308-89	Steel Ball	Φ5	3
271	GB/T2089-86	Compression Spring	5×0.5×20	3
272	HQ400/3-02-025	Cone Pulley		1
273	GB/T1171-74	V-Belt	O-630	1
274	HQ400-12-008	T-Key		1
275	HQ400-12-006	Clutch (A)		1
276	HQ400-12-007	Clutch (B)		1
277	GB/T858-88	Stop Washer	30	1
278	GB/T812-88	Bearing Locking Nut	M30×1.5	1
279	GB/T65-85	Screw	M5×8	3
280	HQ400-12-012	Hand wheel		1
281	GB/T898-88	Double Bolt	M10×35	4
282	HQ400/3-02-017	Seal		1
283	HQ400-12-011	Cover Plate		1
284	GB/T68-85	Sunk Screw	M5×8	4
285	CM1224C-03-034	Oil Cover		1
286	HQ400/3-02-032	Paper Washer		1
287	HQ400/3-02-023	Pulley Bracket		1
288	GB/T70-85	Socket Cap Screw	M6×14	8
289	HQ400/3-02-033	Shaft		1
290	HQ400/3-02-034	Pulley		1
291	GB/T276-94	Single-Row Ball Bearing	6004	2
292	HQ400/3-02-035	Collar		1
293	HQ400/3-02-036	Washer		1
294	HQ400/3-02-037	Cover		1
295	GB/T68-85	Screw	M5×10	4

PROTECTOR ASSEMBLY (03)

Index No.	Part No.	Description	Size	Qty.
301	GB/T818-85	Screw	M5×6	2
302	HQ400/3-03-001	Protector Cover		1
303	HQ400/3-03-016	Protector Door		1
304		Pipe Fitting	Ø8	2
305	GB/T65-85	Screw	M6×10	4
306	GB/T97.1-85	Washer	6	4
307	HQ400/3-03-015(3)	Protector		1
308		Junction base		1
309	CM1224C-09-005	Ground Attribute		1
310	GB/T862.1-87	Washer	5	1
311	GB/T818-85	Screw	M5×12	3
312	HQ400/3A-03-035	Shield		1
313	GB/T818-85	Screw	M4×40	4
314	HQ400-00-008(3)	Warning Attribute		1
315	GB/T818-85	Screw	M4×10	1
316	CZ1237G-08-009	Cable Clamp		1
317	GB/T818-85	Screw	M4×6	4
318	HQ400/3A-03-030	Cover (Left)		1
319	HQ400/3A-03-030A	Cover (Right)		1
320	GB/T818-85	Screw	M5×12	2
321		Pipe Connector	Ø10	2
322		Indicator Lamp	AD11	1
323		Magnetic Switch	KJD12	1
324		Push Button	LAY3	1
325	GB/T5282-85	Screw	ST4.2×15	2
326	HQ400/3A-03-021	Fixed Block		1
327		Switch	LX5-11N	1
328	HQ400/3A-03-025	Protective Cover		1
329	GB/T818-85	Screw	M4×35	2
330		Pipe Connector	D97-4-20	2
331	HQ400/3-03-022	Shaft		1
332	CZ1237G-08-014	Locking Block		1
333	GB/T879-86	Spring Pin	3×14	2
334	GB/T4141.29-84	Handle	A8×32	1

TOOL POST& CARRIAGE ASSEMBLY (04)

Index No.	Part No.	Description	Size	Qty.
401	JB/T7270.1-1994	Handle	M8×65	1
402	GB/T923-1988	Acorn nut	M10	1
403	GB/T9701-1985	Washer	10	2
404	JB/T7273.3-1994	Handwheel	B12×125	1
405	HQ500-10-015	Scale ring base		1
406	HQ500-10-016	Spring piece		1
407	HQ400-13-010	Scale ring		1
408	GB/T70-1985	Screw	M8×16	2
409	GB/T117-1986	Pin	B5×25	2
410	HQ400-11-021	Leadscrew bracket		1
411	JB/T7273.3-1994	Knob	M6×12	1
412	JB/T7273.3-1994	Lever		1
413	HQ400-11-022	Lock screw		1
414	HQ400-11-014	Lock block		1
415	GB/T77-1985	Screw	M8×12	5
416	GB/T75-1985	Screw	M8×10	2
417	HQ400/3-01-002	Longitudinal slide		1
418	HQ400-11-017	Gib		1
419	Hq400-11-018	Gib		1
420	GB/T1096-1979	Key	4×20	1
421	HQ400-11-020	Cross lead screw		1
422	HQ400-11-019	Cross lead screw		1
423	JB/T7940.4-1995	Oiler	6	2
424	GB/T71-1985	Screw	M6×8	1
425	HQ400-11-003	Cross slide		1
426	GB/T75-1985	Screw	M8×15	2
427	GB/T77-1985	Screw	M8×12	3
428	HQ400-11-014	Lock block		1
429	HQ400-14T02-002(1	Angle ruler		1
430	GB/T827-1985	Rivet	2.5×5	2
431	GB/T68-1985	Screw	M4×12	2
432	HQ400-14T02-010	Key		2
433	HQ400-14T02-001	"T"-Bolt		
434	HQ400-14T02-002	Base		1
435	GB/T97.1-1985	Washer	10	2
436	GB/T6170-2000	Nut	M10	2
437	HQ400-14T02-003	Bolt		2
438	HQ400-14T02-005	Vice base		1
439	HQ400-14T02-006	Vice block		1
440	GB/T70.1-2000	Screw	M5×14	2
441	GB/T97.1-1985	Washer	8	2
442	GB/T6170-2000	Nut	M8	2

443	GB/T77-2000	Screw	M5×6	1
444	HQ400-14T02-014	Gib		1
445	HQ400-14T02-004	Moving vice		1
446	GB/T71-1985	Screw	M5×14	2
447	GB/T6170-2000	Nut	M5	2
448	HQ400-14T02-007	Locking block		1
449	GB/T70.1-2000	Screw	M5×8	1
450	JB/T7940.4-1995	Oiler	Ø6	1
451	HQ400-14T02-011	Nut	Tr12	1
452	HQ400-14T02-012	Lead screw	Tr12	1
453	HQ400-14T02-013	Lead screw bracket		1
454	JB/T7270.10-1994	Handle	BM8×25	1
455	GB/T117-2000	Pin	3×16	1
456	HQ400-14T02-009	Bolt	M10×100	1
457	HQ400-14T02-008	Tool post base		1
458	GB/T1358-1993	Spring	5×0. ×6*30	1
459	HQ400-14-007	Set pin		1
460	HQ400-14-003	Tool post		
461	GB/T85-1988	screw	M8×25	8
462	HQ400-14-005	Compensating washer		1
463	HQ400-13-010	Nut	M10	1
464	HQ400-14-006	Handle		1
465	JB/T7271.3-1994	Knob	M10×32	1

MACHINERYHOUSE

TAILSTOCK ASSEMBLY (05)

Index No.	Part No.	Description	Size	Qty.
501	JB/T7270.5-94	Handle	M6×50	1
502	GB/T923-88	Acorn Nut	M10	1
503	GB/T97-85	Flat Washer	10	1
504	JB/T7273.3-94	Hand Wheel	B12×100	1
505	HQ400/4-10-015	Scale ring base		1
506	HQ500-10-016	Spring piece		1
507	HQ400-13-010	Scale ring		1
508	GB/T70-85	Screw	M5×20	4
509	HQ400-13-009	Feed Screw Socket		1
510	JB/T7940.4-95	Oiler	6	3
511	HQ400-13-008	Bracket		1
512	GB/T119-86	Pin	D5×24	1
513	GB/T1096-79	Key	C4×18	1
514	HQ400-13-006	Feed Screw		1
515	HQ400-13-001	Tail Stock Body		1
516	GB/T819-85	Screw	M5×14	2
517	HQ400-13-004	Key		2
518	GB/T73-85	Screw	M10×50	2
519	GB/T97.2-85	Washer	10	4
520	GB/T5780-86	Screw	M10×40	4
521	HQ400-13-011	Locking block (Bottom)		1
522	HQ400-13-012	Locking block (Top)		1
523	GB/T899-85	Double-Screw Bolt	AM10×40	1
524	HQ400-13-013	Washer		1
525	HQ400-13-004	Locking Nut		1
526	HQ400-13-005	Locking Lever		1
527	JB/T7271.3-94	Knob	M10×32	1
528	GB/T71-85	Set Screw	M4×8	1
529	HQ400-13-007	Feed Nut		1
530	HQ400-13-003	T-Key		1
531	HQ400-13-002	Tail Stock Barrel		1

DRILLING-MILLING HEAD ASSEMBLY (06)

Index No.	Part No.	Description	Size	Qty.
601	GB/T70-85	Screw	M5×16	1
602	GB/T93-87	Spring washer	5	1
603	GB/T892-86	Washer	B28	1
604	HQ400-24-001	Bevel gear (B)		1
605	HQ400-24-002	Compensating collar		1
606	GB/T1096-79	Key	6×14	1
607	GB/T1096-79	Key	5×25	1
608	HQ400-24-003	Driving shaft		1
609	GB/T294-94	Bearing	30205	1
610	HQ400-00-015	Rotative base ring		1
611	GB/T7271.3-1994	Knob	M10×32	1
612	HQ400-13-005	Clock handle		1
613	HQ400-13-004	Clock nut		1
614	GB/T899-1988	Double end screw	A10×85	1
615	GB/T68-76	Screw	M5×10	2
616	HQ400-24-004	Rotative base		1
617	HQ400/1-24-023	Lock block A		1
618	HQ400/1-24-023	Lock block B		
619	HQ500-02-020	Plug		1
620	GB/T70-1985	Screw	M10×25	4
621	HQ400-24-008	Rotative flange		1
622	HQ400-24-009	Drilling-milling head		1
625	HQ500-05-007	Spring box		
626	GB/T71-1985	Screw	M5×25	1
627	HQ500-05-006	Spring		1
628	HQ400-24-019	Spring box cover		1
629	GB/T71-1985	Screw	M8×16	2
630	GB/T812-88	Bearing locking nut	M30×1.5	1
631	GB/T858-88	Stop washer	30	1
632	GB/T297-94	Bearing	2007106	1
633	HQ400-22-003	Rack sleeve		1
634	GB/T297-94	Bearing	2007107	1
635	HQ400-22-004	Drilling-Milling spindle		1
636	HQ400-22-002	Gland		1
637	GB/T71-85	Set screw	M5×6	1
638	HQ500-07-001	Gear shaft		1
639	GB/T1096-86	Key	6×14	1
640	HQ400-23-010	Bush		2
641	HQ500-07-002	Feed box		1
642	HQ400-23-004	Worm shaft		1
643	HQ400-23-011	Handle		1
644	GB/T879	Pin	4×20	1

645	JB/T1360	Knob	M12×50	1
646	GB/T879	Pin	4×28	1
647	HQ400-23-005	Worm		1
648	HQ400-23-006	Clutch		1
649	GB/T119-1976	Pin	4×28	1
650	HQ400-23-009	Shaft		1
651	HQ400-23-007	Dial		1
652	HQ400-23-008	Spring piece		1
653	HQ400-23-013	Collar		1
654	HQ400-23-001	Handle		2
655	JB/T7274.2-94	Knob		2
656	GB/T71-85	Set Screw	M6×18	1
657	JB/T7271.5-94	Knob	BM8×40	1
658	HQ400-24-011	Pulley shell (bottom)		1
659	GB/T96-1985	Washer	8	2
660	GB/T67-1985	Screw	M8×14	2
661	GB/T297-94	Bearing	30204	1
662	HQ400-24-010	Collar		1
663	GB/T858-1988	Stop washer	20	1
664	GB/T812-1988	Nut	M20×1.5	1
667	GB1171	V-belt	O-710	1
668	HQ400-24-013	Pulley (E)		1
669	HQ400-21-001	Tightened board		1
670	HQ400-21-006	Tightened shaft		1
671	HQ400-21-002	Belt tightener		1
672	GB/T609-1977	Roller	2.5×24	15
673	HQ400-21-004	Collar		1
674	GB/T894-1976	Circlet	10	1
675	GB/T96-1987	Spring washer	8	6
676	HQ400-24-020	Shell bolt		1
677	GB/T96-1985	Washer	8	5
678	HQ400-24-011	Pulley bracket		1
679	GB/T276-1994	Bearing	6008	1
680	GB/T894-1986	Retain ring	40	1
681	HQ400-24-014	Pulley (F)		1
682	HQ400-24-012	Cover (top)		1
683	HQ400-24-021	Cover		1
684	JB/T7274.4-1994	Knob	BM8×62	1
685	HQ400-24-022	Lock block A		1
686	HQ400-24-022	Lock block B		1
687	GB/T899-1988	Double end bolt	A8×60	1
688	JB/T7270.7-1994	Handle	BM8×66	1
689	GB/T892-1986	Stop washer	B28	1
690	GB/T70-1985	Screw	M5×16	1

BED ASSEMBLY (01T)

(With Leadscrew graud)

Index No.	Part No.	Description	Size	Qty.
101T	GB/T5781-2000	Screw	M6×20	2
102T	GB/T97.1-1985	Washer	6	2
103T	GB/T70.1-2000	Screw	M6×20	2
104T	GB/T879.1-2000	Pin	5×20	4
105T	HQ400/3-01T01-02	Bracket		1
106T	HQ400/3-01T01-01	Leadscrew guard		1
107T	GB/T65-2000	Screw	M5×5	2
108T	HQ400-11-005	Longitudinal leadscrew		1
109T	HQ400/3-01T01-03	Longitudinal nut base		1
110T	GB/T71-1985	Screw	M6×8	1
111T	HQ400-11-009	Longitudinal nut		1
112T	HQ400-11-010	Lead screw bracket		1
113T	GB/T117-2000	Tap pin	B4×25	2
114T	GB/T70.1-2000	Screw	M6×12	2
115T	HQ400-11-001	Bed		1
116T	HQ400-11-022	Lock screw		1
117T	JB/T7271.6-1994	Handle	M6×50	1
118T	JB/T7271.3-1994	Knob	M6×20	1
119T	HQ400-11-014	Lock block		1
120T	HQ400-01T01-04	Longitudinal slide		1
121T	HQ400-11-018	Gib		1

FOLLOW REST ASSEMBLY (T)

Index No.	Part No.	Description	QTY.
T101	HQ500-10T04-005	Follow rest frame	1
T102	JB/T72714.40	Handle 8×32	2
T103	GB/T879	Spring pin 3×16	2
T104	HQ500-10T04-001	Adjusting bolt	2
T105	HQ500-10T04-003	Sleeve	1
T106	HQ500-10T04-004	Brass head	2
T107	GB/T41	Hex nut M6	2
T108	GB/T75	Set screw M6×16	2
T109	HQ500-10T04-002	Knurled screw	2

MACHINERYHOUSE

STEADY REST ASSEMBLY (T)

Index No.	Part No.	Description	QTY.
T201	HQ500-10T05-005	Locking block	1
T202	HQ500-10T05-001	Steady rest base	1
T203	JB/T7274.4	Handle 8×32	1
T204	GB/T879	Spring pin3×16	3
T205	HQ500-10T04-001	Adjusting bolt	3
T206	HQ500-10T04-003	Sleeve	3
T207	HQ500-10T04-004	Brass head	3
T208	GB/T91	Cotter pin1.6×20	2
T209	GB/T882	Pin A6×26	2
T210	GB/T848	Washer 8	2
T211	HQ500-10T04-002	Knurled screw	3
T212	GB/T41	Hex nut M6	3
T213	GB/T75	Set screw M6×16	3
T214	HQ500-10T05-004	Steady rest head	1
T215	GB/T70	Screw M10×35	1
T216	GB/T848	Washer 10	1
T217	HQ500-10T05-002	Locking bolt	1
T218	HQ500-10T05-003	Knob	1

MACHINERYHOUSE